



**Better durability,
response and
output torque**

**Advanced Version
of the top-selling pneumatic actuator**

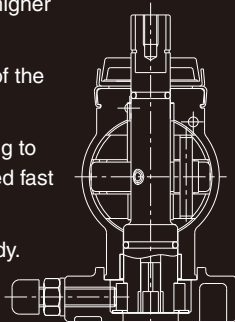
Debut

Better durability

Tough structure and body for long-lasting use

Increased strength of the base plate and the cover. Improvement of the overall structure providing higher performance.

- Improved design of the thrust bearing.
- Quality Engineering to provide a controlled fast acting operation.
- Highly-durable body.



High-speed

Shorter open/close time

Shorter open/close time with the standard structure.

Easy visual

Easy visual position indicator

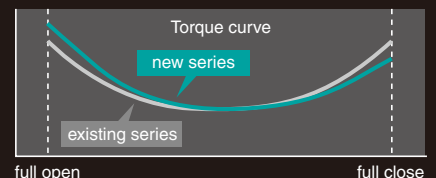
High visibility indicating the valves position throughout the full range of travel.



More output torque

Optimum use of full closing torque.

Special scotch yoke design that produces an increased torque upon closing.



Easily adjustable opening angle

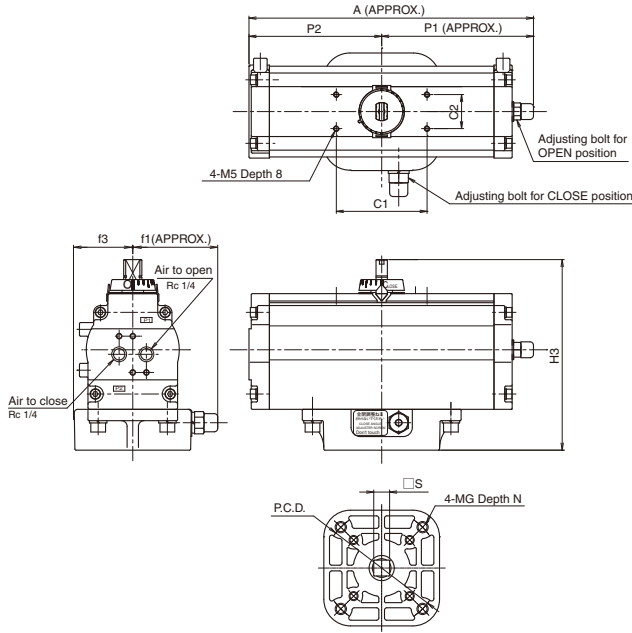
Stroke adjusters(option) equipped with the bolt cover. Adjustable opening/closing according to usage.

• Surface Finish - Hard Alumite on the actuator body providing exceptional scratch resistance. • Additional hole for tagging purpose.

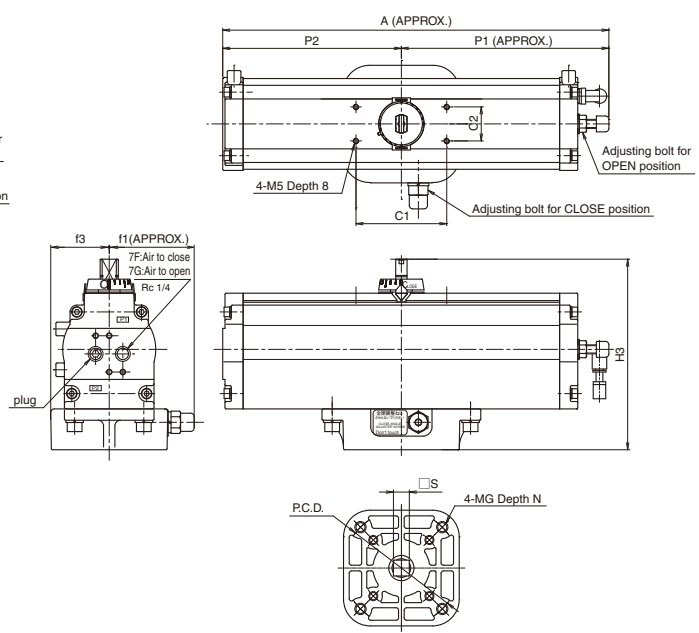
■ Dimensions

Please refer the below dimension chart. The dimension of New T-DYNAMO differs from the existing model(3E/3F/3G).

Double-acting type(7E)



Single-acting type(7F/7G)



Type	Dimension(mm)											Capacity (liter/st)	Approx. weight (Kg)	
	A	P1	P2	H3	C1	C2	f1	f3	S	MG	N			
T35	P.C.D.70	202.5	112	90.5	125	80	30	57	35	12	M8	13	0.2	1.7
	P.C.D.102										M10	17		
T85	P.C.D.70	251	134	117	168	80	30	75	51	14	M8	17	0.5	4.6
	P.C.D.102										M10	20		
T200	P.C.D.70	320.5	170	150.5	203	80	30	79	51	18	M8	15	1.1	7.9
	P.C.D.102										M10	20		
T380	P.C.D.70										M8	15		
	P.C.D.102	397.5	208.5	189	231	80	30	91	62.5	24	M10	18.5	2.1	14
	P.C.D.125										M12	20		
T750	P.C.D.102										M10	18.5		
	P.C.D.125	520.5	276	244.5	269	80	30	118	70	24	M12	23	4.6	24
	P.C.D.140										M16	28		

Type	Dimension(mm)											Capacity (liter/st)	Approx. weight (Kg)	
	A	P1	P2	H3	C1	C2	f1	f3	S	MG	N			
T85S	P.C.D.70	338.5	181	157.5	168	80	30	75	51	14	M8	17	0.5	6.2
	P.C.D.102										M10	20		
T200S	P.C.D.70	423.5	223	200.5	203	80	30	79	51	18	M8	15	1.1	10.7
	P.C.D.102										M10	20		
T380S	P.C.D.70										M8	15		
	P.C.D.102	524.5	273.5	251	231	80	30	91	62.5	24	M10	18.5	2.1	18.9
	P.C.D.125										M12	20		
T750S	P.C.D.102										M10	18.5		
	P.C.D.125	697.5	363	334.5	269	80	30	118	70	24	M12	23	4.6	32.4
	P.C.D.140										M16	28		

■ Standard specifications

Model	Double-acting type(7E)					Single-acting type(7F/7G)			
	T35	T85	T200	T380	T750	T85S	T200S	T380S	T750S
Output torque(N·m) (Supply pressure 0.4MPa) at full Close	35	85	200	380	750	30	65	116	240
Supply air pressure condition/ temperature	Dry Air / -10°C~+60°C								
Supply pressure	0.4~0.7MPa								
Body shell max	1.05MPa								
Air connection	Rc(PT)1/4								
Rotating angle	90°								
Ambient temperature	-10°C~+60°C								
Travel time(sec)※ (with speed controller)	1~15	2~15	3~15	7~20	12~25	2~15	6~15	8~20	15~25

※ Travel time represents actuator alone with air supply pressure 0.4MPa, standard speed controller(SP-K017-Z03-006) and solenoid valve(PCS2408-NB-100MC).
Travel time will change due to the air piping condition.

TOMOE VALVE CO., LTD. www.tomoevalve.com

● Head Office
3-11-11 Shinmachi, Nishi-ku, Osaka 550-0013, Japan
Telephone: +81-6-6110-2101/2102/2103 Telefax: +81-6-6110-2105/2106 E-mail: sales@tomoevalve.com

Global Sales Operations

SHANGHAI TOMOE VALVE CO., LTD.
No.2755 Bao An Road, Malu Town, Jiading District Shanghai, 201801, CHINA.
Telephone: +86-21-69155067 Telefax: +86-21-69155068

TOMOE VALVE ASIA PACIFIC PTE. LTD. www.tomoe.com.sg/index.php

Blk 8 Chia Ping Road #07-11 Singapore 619973
Telephone: +65-68995060 Telefax: +65-68995061 E-mail: sales@tomoe.com.sg

TOMOE VALVE LIMITED www.tomoeurope.co.uk

Cleanwater Road, Queensway Meadows Industrial Estate, Newport, South Wales NP19 4ST, United Kingdom
Telephone: +44-1633-636800 Telefax: +44-1633-636801 E-mail: sales@tomoe.co.uk

TOMOE USA Inc.

14411 Inter Drive West, Houston, Texas, 77032, USA
Telephone: +1-281-351-7571 Telefax: +1-281-358-7861

PT. TOMOE VALVE BATAM www.tomoe-batam.com

Block F2 Latrade Industrial Park, Tanjung Uncang, Batam Kepulauan Rian 29422, Indonesia
Telephone: +62-778-395466 Telefax: +62-778-396475

Cat.No.EST1047-① 2013.06.18-3Yn